

OBJECTIVE

- To develop a portable device that will stimulate realistic localized touch in the fingertips of the subject with high spatial and temporal resolution
- To characterize the brain's response to different tactile stimulations in the hand by pairing electrocorticography (ECoG) recordings with the stimulations from our electrotactile stimulator

BACKGROUND

- When an external stimulus is applied to the skin, the mechanoreceptors under the skin are activated, and they convert this external stimulus to an electronic signal, which is sent to the brain. Specifically, the fingertips are one of the most sensitive parts of the skin because they contain many sensory neurons condensed in a small area. Thus, the fingertips are useful for studying haptics.
- Although many researchers have developed wearable devices such as gloves and skin electrodes to stimulate realistic touch sensations in the hand via electrical impulses, these devices are not ideal because they are bulky, use expensive equipment, and cannot precisely induce a localized touch signal.
- Artificial recreation of haptics will enable us to help people, such as spinal cord injury (SCI) patients and amputees, who have lost their sense of touch to regain normal physiological skin function.
- For researchers and surgeons, understanding which regions of the brain are activated when patients acquire a feeling of touch is important for surgical procedures and mapping of the brain.

METHODS AND MATERIALS

- The electrotactile stimulator is designed using a TENS unit, Arduino Uno, silver cap electrodes, silicone finger cots, a group relay, and a wrist brace to encase the device.

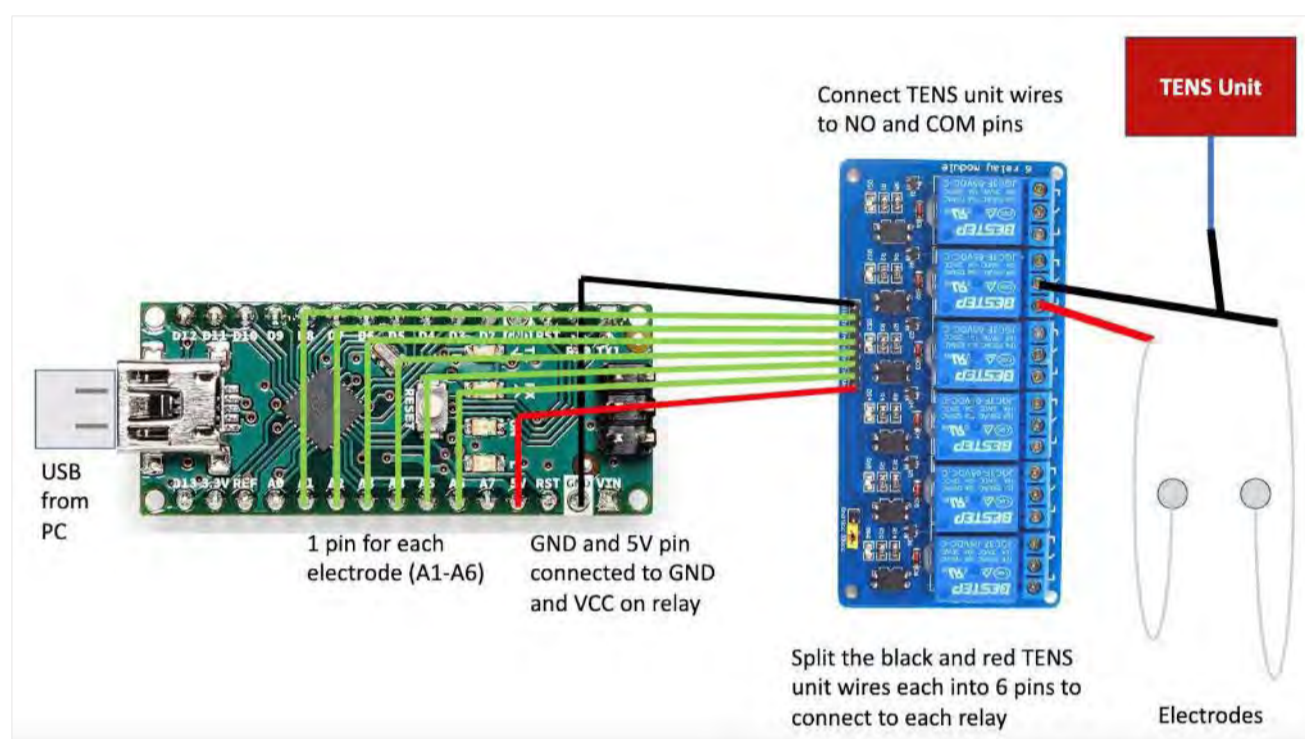


Figure 1: Final circuit design with TENS unit

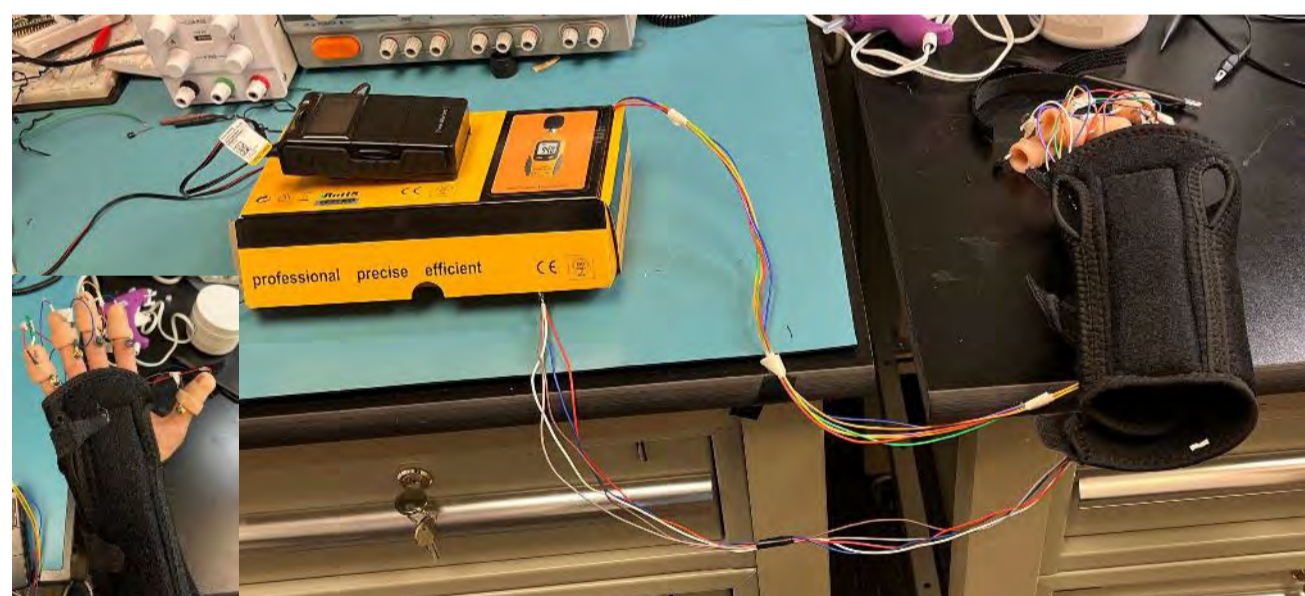


Figure 2: Device design depicted in real-world

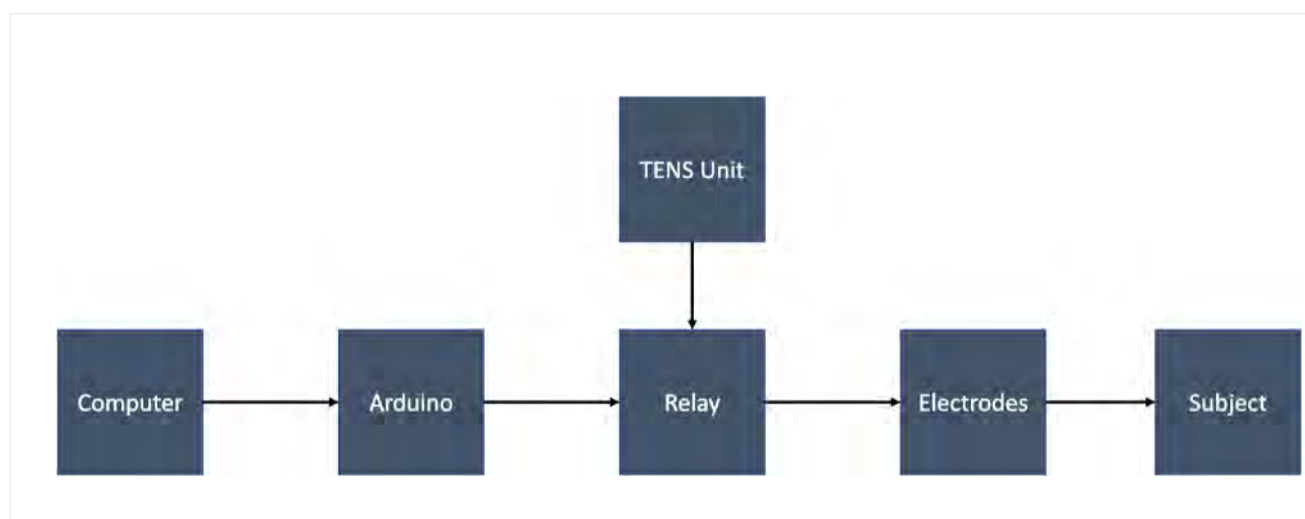


Figure 3: Block design showing current flow in our electrotactile stimulator

RESULTS

Location	Current	Impedance	Description
Index Finger	1000	48000	nothing
1-2	2000	41000	firming
1-2	1500	35000	comfortable
1-2	1200	33000	slight
1-2	1400	30000	Perfect
1-3	1400	55000	Same as the previous
1-3	2000	50000	Slightly uncomfortable
1-4	1500	53000	Comfortable
1-4	2000	53000	Initial shock but becomes tolerable
2-3	1500	48000	Nothing, again might have gotten used to it
2-3	2000	47000	Didn't feel anything
4-5	1500	39000	Does not feel anything
4-5	2000	38000	Feels it very slightly
4-5	2500	36000	Feel the full finger from top to bottom, even being at 4/5
4-5	3000	36000	Felt like 2000 in the previous one
1-5	2000	36000	Felt like a shock
1-3	2000	55000	Same as middle finger 1/3, light sensation
1-5	2000	62000	Stronger but good stimulation through the whole finger
Middle Finger	1-5	50000	Same previous 1-5 on index
Middle Finger	1-5	43000	A little stronger, exact same as index

- Based on the data we collected, we determined that the most ideal range of phase amplitudes for the 1-5 electrode configuration is from 2250 μ A to 2750 μ A (with a steady pulse rate of 50 Hz), but the placement of electrodes should be at regions 1 and 3 to achieve the most localized sensation in the fingers.

CONCLUSION

- We were able to develop a device that could stimulate the fingertips and thereby model various touch sensations in the hand. The device was safe to use, adaptable to every hand size/person, and easy to transport from one place to another.

ACKNOWLEDGMENTS

- Our group would like to recognize Dr. Schultz and Dr. Chen for their support in the development of this project and the CNEL lab for their help and guidance.